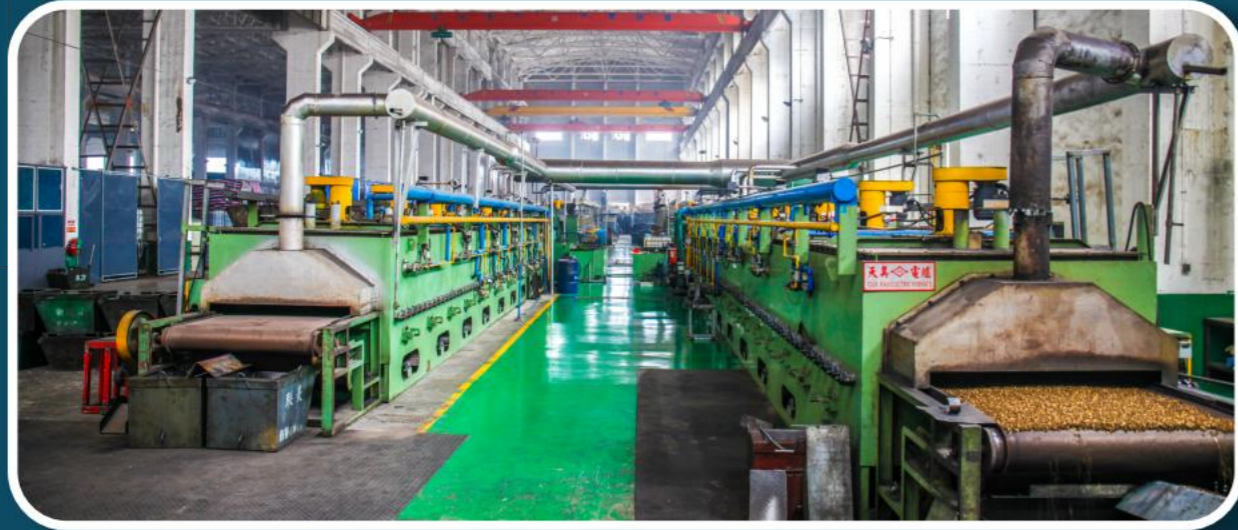




GEM
TORNILLOS

GEMTORNILLOS

Address:
NO.36 TAISHAN ROAD,INDUSTRIAL
PARK,JIASHAN,ZHEJIANG,CHINA
TEL:+86-573-84291418
FAX:+86-573-84291414
E-mail:sales@gemtornillos.com
WEB:www.gemtornillos.com



Among numerous and complicated process systems of the product, the enterprise firmly carries out comprehensive quality management, setting up strict operation standard for each link and process, and cooperating the comprehensive testing system, which guarantees the smooth flow of every process.



**IF YOU WANT TO DO SOME THING BETTER
YOU MUST FIRST GRIND YOUR SWORD**



Drywall Screw Series



Bugle Head, Drywall Screws, Coarse thread

Applications:

- Plywood fascial to steel frames
- Fixed and assemble furniture
- Assemble with keel and wood follow

Features:

- Bugle head desing and seats flush in wood
- Phosphate coating, long time preserve
- Sharp point, fast drilling

Size(mm)			
3.5X19	3.9X25	4.2X32	4.8X38
3.5X25	3.9X32	4.2X38	4.8X50
3.5X28	3.9X35	4.2X50	4.8X75
3.5X32	3.9X38	4.2X63	4.8X90
3.5X35	3.9X41	4.2X75	4.8X100
3.5X38	3.9X45	4.2X80	4.8X110
3.5X41	3.9X50	4.2X90	

Size(inch)			
#6X3/4"	#7X1"	#8X1-1/4"	#10X1-1/2"
#6X1"	#7X1-1/4"	#8X1-1/2"	#10X2"
#6X1-1/8"	#7X1-3/8"	#8X2"	#10X3"
#6X1-1/4"	#7X1-1/2"	#8X2-1/2"	#10X3-1/2"
#6X1-3/8"	#7X1-5/8"	#8X3"	#10X4"
#6X1-1/2"	#7X1-3/4"	#8X3-5/32"	#10X4-5/16"
#6X1-5/8"	#7X2"	#8X3-1/2"	



Bugle Head, Drywall Screws, Fine thread

Applications:

- Plywood fascial to steel frames
- Fixed and assemble furniture
- Assemble with steel and gypsum board

Features:

- Bugle head desing and seats flush in stell
- Phosphate coating, long time preserve
- Sharp point, fast drilling

Size(mm)			
3.5X19	3.9X25	4.2X32	4.8X38
3.5X25	3.9X32	4.2X38	4.8X50
3.5X28	3.9X35	4.2X50	4.8X75
3.5X32	3.9X38	4.2X63	noVgC
3.5X35	3.9x4	4.2X75	4.8X100
3.5X38	3.9X45	4.2X80	4.8X110
3.5X4]	3.9X50	4.2X90	

Size(inch)			
#6X3/4"	#7X1"	#8X1-1/4"	#10X1-1/2"
#6X1"	#7X1-1/4"	#8X1-1/2"	#10X2"
#6X1-1/8"	#7X1-3/8"	#8X2"	#10X3"
#6X1-1/4"	#7X1-1/2"	#8X2-1/2"	#10X3-1/2"
#6X1-3/8"	#7X1-5/8"	#8X3"	#10X4"
#6X1-1/2"	#7X1-3/4"	#8X3-5/32"	#10X4-5/16"
#6X1-5/8"	#7X2"	#8X3-1/2"	

Wood Screws Sries



Soltted Head, Wood Screws

Applications:

- Wood mansard to steel frames
- Fixed and assemble furniture
- Assemble with keel and wood floor

Features:

- Brass coating
- Reduce shank, stonger using

Size(mm)		
M4X16	M5X16	M6X25
M4X20	M5X20	M6X30
M4X25	M5X25	M6X35
M4X30	M5X30	M6X40
M4X35	M5X35	M6X45
M4X40	M5X40	M6X50
M4X45	M5X45	M6X60
M4X50	M5X50	M6X70
M4X60	M5X60	M6X80
	M5X70	M6X90

Size(mm)		
#8X5/8"	#10X5/8"	#12X1"
#10X3/4"	#10X3/4"	#12X1-3/16"
#8X1"	#10X1"	#12X1-3/8"
#8X1-3/16"	#10X1-3/16"	#12X1-5/8"
#8X1-3/8"	#10X1-3/8"	#12X1-3/4"
#8X1-5/8"	#10X1-5/8"	#12X2"
#8X1-3/4"	#10X1-3/4"	#12X2-3/8"
#8X2"	#10X2"	#12X2-3/4"
#8X2-3/8"	#10X2-3/8"	#12X3-3/52"
	#10X2-3/4"	#12X3-1/2"



Phillip Head, Wood Screws

Applications:

- Wood mansard to steel frames
- Fixed and assemble furniture
- Assemble with keel and wood floor

Features:

- Zinc coating
- Reduce shank, stonger using

Size(mm)		
M4X16	M5X16	M6X25
M4X20	M5X20	M6X30
M4X25	M5X25	M6X35
M4X30	M5X30	M6X40
M4X35	M5X35	M6X45
M4X40	M5X40	M6X50
M4X45	M5X45	M6X60
M4X50	M5X50	M6X70
M4X60	M5X60	M6X80
	M5X70	M6X90

Size(mm)		
#8X5/8"	#10X5/8"	#12X1"
#8X3/4"	#10X3/4"	#12X1-3/16"
#8X1"	#10X1"	#12X1-3/8"
#8X1-3/16"	#10X1-3/16"	#12X1-5/8"
#8X1-3/8"	#10X1-3/8"	#12X1-3/4"
#8X1-5/8"	#10X1-5/8"	#12X2"
#8X1-3/4"	#10X1-3/4"	#12X2-3/8"
#8X2"	#10X2"	#12X2-3/4"
#8X2-3/8"	#10X2-3/8"	#12X3-3/52"
	#10X2-3/4"	#12X3-1/2"

Chipboard Screw Series



CSK Double Head,Chipboard Screws

Applications:

- Wood mansard to steel frames
- Fixed and assemble furniture
- Assemble with keel and wood follow

Features:

- Double head desing suitable for wood
- Zine plated coating
- Sharp point, fast drilling

Size(mm)					
3.0x12	3.5x12	4.0x16	4.5x20	5.0x25	6.0x25
3.0x16	3.5x16	4.0x20	4.5x25	5.0x30	6.0x30
3.0x18	3.5x20	4.0x25	4.5x30	5.0x35	6.0x35
3.0x20	3.5x25	4.0x30	4.5x35	5.0x40	6.0x40
3.0x25	3.5x30	4.0x35	4.5x40	5.0x45	6.0x45
3.0x30	3.5x35	4.0x40	4.5x45	5.0x50	6.0x50
3.0x35	3.5x40	4.0x50	4.5x50	5.0x60	6.0x60
3.0x40	3.5x45	4.0x60	4.5x60	5.0x70	6.0x70
	3.5x50	4.0x70	4.5x70	5.0x80	6.0x80
		4.0x80			6.0x90
					6.0x100
					6.0x110

Chipboard Screws Sries



CSK Double Head With 6 Nibs Saw thread Chipboard Screws

Applications:

- Use for attaching particle board to wood
- Fixed and assemble furniture
- Wood mansard to steel frames

Features:

- 6Nibs with pozi drive,extra stronger
- saw thread,easy drilling
- Plated:ZN,YZ,SS,Ruspert

Size(mm)					
3.0X12	3.5x12	4.0x16	4.5x20	5.0x25	6.0x30
3.0X16	3.5x16	4.0x20	4.5x25	5.0x30	6.0x35
3.0X18	3.5x20	4.0x25	4.5x30	5.0x35	6.0x40
3.0X20	3.5x25	4.0x30	4.5x35	5.0x40	6.0x45
3.0X25	3.5x30	4.0x35	4.5x40	5.0x45	6.0x50
3.0X30	3.5x35	4.0x40	4.5x45	5.0x50	6.0x60
3.0X35	3.5x40	4.0x50	4.5x50	5.0x60	6.0x70
3.0X40	3.5x45	4.0x60	4.5x60	5.0x70	6.0x80
	3.5x50	4.0x70	4.5x70	5.0x80	6.0x90
		4.0x80	4.5x80		6.0x100
					6.0x110
					6.0x120
					6.0x150
					6.0x180
					6.0x200



CSK Double Head,Chipboard Screws

Applications:

- Wood mansard to steel frames
- Fixed and assemble windows
- Fixed and assemble furniture

Features:

- Square drving desing.easily for bits
- Zine plated coating
- Cutting point,drilling out sawdust

Size(mm)					
3.0x12	3.5x12	4.0x16	4.5x20	5.0x25	6.0x25
3.0x16	3.5x16	4.0x20	4.5x25	5.0x30	6.0x30
3.0x18	3.5x20	4.0x25	4.5x30	5.0x35	6.0x35
3.0x20	3.5x25	4.0x30	4.5x35	5.0x40	6.0x40
3.0x25	3.5x30	4.0x35	4.5x40	5.0x45	6.0x45
3.0x30	3.5x35	4.0x40	4.5x45	5.0x50	6.0x50
3.0x35	3.5x40	4.0x50	4.5x50	5.0x60	6.0x60
3.0x40	3.5x45	4.0x60	4.5x60	5.0x70	6.0x70
	3.5x50	4.0x70	4.5x70	5.0x80	6.0x80
		4.0x80			6.0x90
					6.0x100
					6.0x110



CSK Double Head ,Saw thread Chipboard Screws

Applications:

- Use for attaching particle board to wood
- Fixed and assemble furniture
- assemble door hinges

Features:

- phillips drive,regular installation
- saw thread,easy drilling
- Plated:ZN,YZ,SS,Ruspert

Size(mm)					
3.0X12	3.5x12	4.0x16	4.5x20	5.0x25	6.0x30
3.0X16	3.5x16	4.0x20	4.5x25	5.0x30	6.0x35
3.0X18	3.5x20	4.0x25	4.5x30	5.0x35	6.0x40
3.0X20	3.5x25	4.0x30	4.5x35	5.0x40	6.0x45
3.0X25	3.5x30	4.0x35	4.5x40	5.0x45	6.0x50
3.0X30	3.5x35	4.0x40	4.5x45	5.0x50	6.0x60
3.0X35	3.5x40	4.0x50	4.5x50	5.0x60	6.0x70
3.0X40	3.5x45	4.0x60	4.5x60	5.0x70	6.0x80
	3.5x50	4.0x70	4.5x70	5.0x80	6.0x90
		4.0x80	4.5x80		6.0x100
					6.0x110
					6.0x120
					6.0x150
					6.0x180
					6.0x200



Size(mm)				
3.5x30	4.0x40	4.5x50	5.0x50	6.0x50
3.5x40	4.0x45	4.5x60	5.0x60	6.0x60
3.5x45	4.0x50	4.5x70	5.0x80	6.0x70
3.5x50	4.0x60	4.5x80	5.0x90	6.0x80
			5.0x100	6.0x100
				6.0x120

CSK Double Head, Type 17 Chipboard Screws

Applications:

- Use for attaching hardwood to wood
- Fixed and assemble furniture
- wood mansard to steel frames

Features:

- 6Nibs, with Torx drive, extra stronger.
- Type 17 point, "U" thread, reduce stress
- Plated: ZN, YZ, SS, Ruspert



Size(mm)			
4.0x40	5.0x50	6.0x50	8.0x80
4.0x50	5.0x60	6.0x60	8.0x100
4.0x60	5.0x70	6.0x70	8.0x120
	5.0x80	6.0x80	8.0x140
	5.0x100	6.0x90	8.0x160
	5.0x120	6.0x100	8.0x180
		6.0x110	8.0x200
		6.0x120	8.0x230
		6.0x130	8.0x260
		6.0x140	8.0x300
		6.0x150	
		6.0x160	
		6.0x180	
		6.0x200	
		6.0x220	
		6.0x240	
		6.0x260	

Large Wafer Head with Torx heavy duty Chipboard Screws

Applications:

- Use for attaching particle board to wood
- Fixed and assemble furniture
- wood mansard to steel frames

Features:

- Larger wafer, specia for construction
- Type 17 point, "U" thread, teduc stress
- Plated: ZN, YZ, SS, Ruspert



Size(mm)		
6gx3/4"	8gx3/4"	10gx2"
6gx1"	8gx1"	10gx2 1/2"
6gx1-1/4"	8gx1-1/4"	10gx3"
6gx1-1/2"	8gx1-1/2"	10gx4"
	8gx1-3/4"	
	8gx2"	
	8gx3"	

CSK Head with Square drive Chipboard Screws

Applications:

- Use for attaching plywood to wood
- Fixed and assemble furniture
- wood mansard to steel frames

Features:

- Square drive with 4Nibs, extra stronger
- Coarse thread design, fasting installation
- Plated: ZN, YZ, SS, Ruspert

Drywall Screw Series



Self-drilling Screws Bugle Phillips

- Applications:**
- For using in stitch wood to mate
 - Using in flat surface required
 - Using in pre-drilled hole for fitting

- Features:**
- Precise cutting edges to improve drill performance with less effort
 - Bugle head available for working purpose

size (inch)	Dia.XLength (mm)	Drill Potnt (mm)	Drill Capacity (mm)
#6-20x1"	3.5x25	#2	0.5-1.0
#6-20x1-1/8"	3.5x28	#2	0.5-1.0
#6-20x1-1/4"	3.5x32	#2	0.5-1.0
#6-20x1-5/8"	3.5x41	#2	0.5-1.0
#6-20x2"	3.5x50	#2	0.5-1.0
#8-18x1"	4.2x25	#2	1.0-2.0
#8-18x1-1/4"	4.2x32	#2	1.0-2.0
#8-18x2"	4.2x50	#2	1.0-2.0
#8-18x2-3/8"	4.2x60	#2	1.0-2.0
#8-18x2-5/8"	4.2x65	#2	1.0-2.0
#8-18x3"	4.2x75	#2	1.0-2.0



Truss Phillips

- Applications:**
- Residential steel frame construction
 - For using in object like polycarbonate sheet, shadow cover

- Features:**
- Truss head design on purpose using
 - Non-walking point provides fast material engagement

size (inch)	Dia.XLength (mm)	Drill Potnt (mm)	Drill Capacity (mm)
#8-18x1/2"	4.2x13	#2	1.0-2.0
#8-18x5/8"	4.2x16	#2	1.0-2.0
#8-18x3/4"	4.2x19	#2	1.0-2.0
#8-18x1"	4.2x25	#2	1.0-2.0
#8-18x1-1/4"	4.2x32	#2	1.0-2.0
#8-18x1-5/8"	4.2x41	#2	1.0-2.0



Pan Phillips

- Applications:**
- Skin sheet to steel
 - Residential steel frame construction
 - For light duty purpose
 - Suitable for stitching 1 thick & 1 thin steel plate

- Features:**
- Pan head design on purpose using
 - Non-walking point provides fast material engagement

size (inch)	Dia.XLength (mm)	Drill Potnt (mm)	Drill Capacity (mm)
#6-20x3/8"	3.5x10	#2	0.5-1.0
#6-20x1/2"	3.5x13	#2	0.5-1.0
#6-20x5/8"	3.5x16	#2	0.5-1.0
#6-20x1"	3.5x19	#2	0.5-1.0
#6-20x1 1/2"	3.5x25	#2	0.5-1.0
#6-20x2"	3.5x32	#2	0.5-1.0
#8-18x1/2"	4.2x13	#2	1.0-2.0
#8-18x5/8"	4.2x16	#2	1.0-2.0
#8-18x3/4"	4.2x19	#2	1.0-2.0
#8-18x1"	4.2x25	#2	1.0-2.0
#8-18x1-1/4"	4.2x32	#2	1.0-2.0
#8-18x1-1/2"	4.2x38	#2	1.0-2.0
#10-16x1/2"	4.8x13	#2	1.0-2.0
#10-16x5/8"	4.8x16	#2	1.0-2.0
#10-16x3/4"	4.8x19	#2	1.0-2.0
#10-16x1"	4.8x25	#3	1.0-3.0
#10-16x1-1/4"	4.8x32	#3	1.0-3.0
#10-16x1-1/2"	4.8x38	#3	1.0-3.0
#10-16x2"	4.8x50	#3	1.0-3.0

Wood Screws Sries



Countersunk Wings

- Applications:**
- Wood mansard to steel frames
 - Plywood fascial to steel frames
 - Plywood roof and floor sheet to steel frames

- Features:**
- Large bearing surface ideal for plywood
 - Flat head desing countersunks and seats flush in wood
 - Special winged fasteners ream a hole in wood preventing thread engagement during drilling

size (inch)	Dia.XLength (mm)	Drill Potnt (mm)	Drill Capacity (mm)
#10x1"	4.8x25	#3	1.0-3.0
#10-1x1/4"	4.8x32	#3	1.0-3.0
#10-1x1/2"	4.8x38	#3	1.0-3.0
#10-1x3/4"	4.8x45	#3	1.0-3.0
#12-1-1/2"	5.5x38	#3	2.0-4.0
#12x2"	5.5x50	#3-#5	2.0-4.0-12.0
#12x2-3/16"	5.5x55	#3-#5	2.0-4.0-12.0
#12x3"	5.5x75	#3-#5	2.0-4.0-12.0
#12x3-5/32"	5.5x80	#3-#5	2.0-4.0-12.0
#12x3-1/2"	5.5x88	#3-#5	2.0-4.0-12.0
#12x4-3/4"	5.5x120	#3-#5	2.0-4.0-12.0
#14x2"	6.3x50	#4-#5	7.0-8.0-12.0
#14x3-5/32"	6.3x80	#4-#5	7.0-8.0-12.0
#14x3-1/2"	6.3x88	#4-#5	7.0-8.0-12.0
#14x4-3/4"	6.3x120	#4-#5	7.0-8.0-12.0
#14x6"	6.3x150	#4-#5	7.0-8.0-12.0



Countersunk Phillips

- Applications:**
- Best choice for fastening in window or door frames purpose
 - Using in flat surface required
 - Using in pre-drilled hole for fitting

- Features:**
- Precise cutting edges to improve drill performance with less effort
 - Countersunk head available for working purpose

size (inch)	Dia.XLength (mm)	Drill Potnt (mm)	Drill Capacity (mm)
#6-20x3/8"	3.5x10	#2	0.5-1.0
#6-20x1/2"	3.5x13	#2	0.5-1.0
#6-20x5/8"	3.5x16	#2	0.5-1.0
#6-20x3/4"	3.5x19	#2	0.5-1.0
#6-20x1"	3.5x25	#2	0.5-1.0
#8-18x1/2"	4.2x13	#2	1.0-2.0
#8-18x5/8"	4.2x16	#2	1.0-2.0
#8-18x3/4"	4.2x19	#2	1.0-2.0
#8-18x1"	4.2x25	#2	1.0-2.0
#10-16x1-1/2"	4.8x13	#2	1.0-2.0
#10-16x5/8"	4.8x16	#2	1.0-2.0
#10-16x3/4"	4.8x19	#2	1.0-2.0
#10-16x1"	4.8x25	#3	1.0-3.0
#10-16x1-1/4"	4.8x32	#3	1.0-3.0
#10-16x1-1/2"	4.8x38	#3	1.0-3.0



Wafer Phillips

Applications:

- Roof and skin sheet to steel
- Residential steel frame construction
- For light duty purpose

Features:

- Wafer head design on purpose using
- Non-walking point provides fast material engagement

Size (inch)	Dia.XLength (mm)	DrillPoint (mm)	DrillCapacity (mm)
#10-16X5/8"	4.2x16	#2	1.0-2.0
#10-16X7/8"	4.2X22	#2	1.0-2.0
#10-16X1-1/4"	4.2X32	#2	1.0-3.0
#10-16X1-1/2"	4.2X38	#2	1.0-3.0
#10-24X5/8"	4.2X16	#2	1.0-2.0
#10-24X7/8"	4.2X22	#2	1.0-2.0
#10-24X1-1/4"	4.2X32	#3	1.0-3.0
#10-24X1-1/2"	4.2X38	#3	1.0-3.0



HEX Flange Head with rubber dual thread self-drilling screw

Applications:

- for Medium duty purpose
- Roof Deck to steel framing
- Accessories to steel framing

Features:

- Engineered for fast drilling and smooth tapping with less effort.
- dual thread,system that provides positive support to roofing profiles and,secures a watertight seal between fastener and roofing sheet during crest fixing
- plated:ZN,YZ,SS,Ruspert,Mechanical zinc

Size	Drillpoint	DrillCapacity
12g-14X35	#3	2.0-4.0
12g-14X45	#3	2.0-4.0
12g-14X65	#3	2.0-4.0



Hex Washer Head light duty

Applications:

- For light duty purpose
- Stitch roof deck and wall panel sidelaps
- Residential steel frame construction
- Brick ties to steel framing

Features:

- Unique point to thread design extrudes the metal preventing stripout
- Non-walking point provides fast material engagement
- Point to thread design maximize pullout performance and minimizes backout

Size (inch)	Dia.XLength (mm)	DrillPoint (mm)	Drill Capacit (mm)
#8-18X1/2"	4.2X13	#2	1.0-2.0
#8-18X5/8"	4.2X16	#2	1.0-2.0
#8-18X3/4"	4.2X19	#2	1.0-2.0
#8-18X1"	4.2X22	#2	1.0-2.0
#8-18X1-1/4"	4.2X32	#2	1.0-2.0
#8-18X1-1/2"	4.2X38	#2	1.0-2.0
#10-16X1/2"	4.8X13	#2	1.0-2.0
#10-16X5/8"	4.8X16	#2	1.0-2.0
#10-16X3/4"	4.8X19	#2	1.0-2.0
#10-16X1"	4.8X25	#3	1.0-3.0
#10-16X1-1/4"	4.8X32	#3	1.0-3.0
#10-16X1-1/2"	4.8X38	#3	1.0-3.0
#10-16X2"	4.8X50	#3	1.0-3.0



Small Csk self-drilling screw

Applications:

- Roof and skin sheet to steel
- Residential steel frame construction
- For light duty purpose

Features:

- Non-walking point provides fast material engagement
- plated:ZN,YZ,SS,Ruspert,Mechanical zinc

Size	Drillpoint	DrillCapacity
8g-18X12	#2	1.0-2.0
8g-18X25	#3	1.0-2.0
10g-16X16	#2	1.0-2.0
10g-16X22	#2	1.0-2.0
10g-16X30	#3	1.0-2.0



Batten Screw, Bugle Hex Socket

Applications:

- Use for attaching hardwood to wood
- attches outdoor floor to wood sheet

Features:

- 6Nibs with hexagon drive,extra stronger.
- Type 17 point,"U"thread,reduce stress
- Thread with 1 slot for quick drilling.
- Plated:Rusper

Size(mm)				
14g-10X50	14g-10X75	14g-10X100	14g-10X125	14g-10X150



Bugle Head, Coarse thread Deck screw

Applications:

- Exterior wood screw used on fencing,decks,patios
- medium degree of corrosion resistance

Features:

- Coarse thread,easy attaches wood to wood
- Plated:Rusper

Size(inch)			
#6X1"	#8X1-1/4"	#9X2-1/2"	#10X3-1/2"
#6X1-1/4"	#8X1-5/8"	#9X3"	#10X4"
#6X1-5/8"	#8X2"		#10X4-1/2"
#6X2"	#8X2-1/2"		#10X5"
	#8X3"		#10X6"



Batten Screw, Bugle Head Hex Socket

Applications:

- Use for attaching hardwood to hardwood
- attches outdoor floor to wood sheet

Features:

- Hex socket drive extra stronger.
- Type 17 point,"U"thread,reduce stress
- Plated:YZ.Mechanical Zinc

Size(mm)				
14g-10x50	14g-10X75	14g-10X100	4g-10X125	14g-10X150



CSK Double Head, Deck screw

Applications:

- Use for attaching hardwood to hardwood
- attches outdoor floor to wood sheet

Features:

- 6Nibs with Torx drive,extra stronger
- Type 17 point,"U"thread,reduce stress
- Plated:Rusper

Size(mm)				
3.5X30	4.0X40	4.5X50	5.0X50	6.0X50
3.5X40	4.0X45	4.5X60	5.0X60	6.0X60
3.5X45	4.0X50	4.5X70	5.0X80	6.0X70
3.5X50	4.0X60	4.5X80	5.0X90	6.0X80
			5.0X100	6.0X100
				6.0X120



Trim Head, Deck screw

Applications:

- Use for attaching hardwood to hardwood
- attches outdoor floor to wood sheet

Features:

- 6Nibs with Torx drive,extra stronger
- Type 17 point,quick drilling
- Plated:Rusper

Size(inch)	
#8X1-1/4"	#10X3-1/2"
#8X1-5/8"	#10X4"
#8X2"	#10X4-1/2"
#8X2-1/2"	#10X5"
#8X3"	#10X6"



Hex combo drive Concrete Screw with Diamond point

- Applications:**
- Concrete material fixtures
 - Flexible flashing
 - suitable for soft brick and masonry work
- Features:**
- can be using in exterior environment
 - Internal washer design provides more bearing surface
 - Hi-low thread provides smooth power for drilling
 - per-drilled hole are requested
 - Plated:Ruspert

Size(inch)				
1/4X1-1/4"	1/4X1-3/4"	1/4X2-1/4"	1/4X2-3/4"	1/4X3-1/4"
1/4X3-3/4"				



CSK head Concrete Screw with Diamond point

- Applications:**
- Concrete material fixtures
 - Flexible flashing
 - suitable fo soft brick and masonry work
- Features:**
- can be using in exterior environment
 - Hi-low thread provides smooth power for drilling
 - per-drilled hole are requested
 - Plated:Ruspert

Size(inch)				
1/4X1-1/4"	1/4X1-3/4"	1/4X2-1/4"	1/4X2-3/4"	1/4 X3-1/4"
1/4X3-3/4"				



Cement Board Screws with spade point

- Applications:**
- Designed to fasten cement board to wood or light sheet
 - for Cement board Purpose
- Features:**
- can be using in exterior environment
 - spade point penetrates the board without cracking and high-low thread
 - ensure high withdrawal resistance.
 - per-drilled hole are requested
 - Plated:Ruspert

Size(inch)				
#8X1-1/4"	#8X1-5/8"	#8X2-1/4"		



Pan Head Self-tapping Screws

- Applications:**
- Using in Aluminium windows
 - Using in integration roof
- Features:**
- Pan head desing on pupose using
 - Zinc coating

Size(mm)			
3.5x9.5	3.9x9.5	4.2x9.5	4.8x9.5
3.5x13	3.9x13	4.2x13	4.8x13
3.5x16	3.9x16	4.2x16	4.8x16
3.5x19	3.9x19	4.2x19	4.8x19
3.5x25	3.9x25	4.2x25	4.8x25
		4.2x32	4.8x32
			4.8x38



CSK Head Self-tapping Screws

- Applications:**
- Using in Aluminium windows
 - Using in integration roof
- Features:**
- CSK head desing on pupose using
 - Nickel coating

Size(mm)			
3.5x9.5	3.9x9.5	4.2x9.5	4.8x9.5
3.5x13	3.9x13	4.2x13	4.8x13
3.5x16	3.9x16	4.2x16	4.8x16
3.5x19	3.9x19	4.2x19	4.8x19
3.5x25	3.9x25	4.2x25	4.8x25
		4.2x32	4.8x32
			4.8x38



HEX Flange Head with rubber, self-tapping screw

Applications:

- for heavy duty purpose
- for wood to light and heavy duty steel

Features:

- assure fast action and reduce driving torque
- solve strip-out problems
- Type 17 point, quick drilling

Size(mm)				
12-11X35	12-11X45	12-11X50	12-11X65	14-10X25
14-10X50	14-10X65	14-10X75	14-10X90	14-10X100
14-10X150				



Flat head self-tapping screw, SS Clean Polish

- Pan head For steel to steel
- SS material anti-rust

Size(inch)				
#8X1"	#8X1 1/4"	#8X1 1/4"	#8X1 5/8"	#8X1 3/4"
#8x2"	#10X3 1/2"	#10X4"		



Pan head self-tapping screw, SS Clean Polish

- Pan head For steel to steel
- SS material anti-rust

Size(inch)				
#8X1 1/2"	#8X1"	#8X1 1/4"	#8X1 1/2"	#8X1 5/8"
#8X1 3/4"	#8X2"	#10X3 1/2"	#10X4"	



Truss head self-tapping screw

Applications:

- Residential steel frame construction
- For using in object like polycarbonate sheet, shadow cover

Features:

- Truss head design on purpose using
- Non-walking point provides fast material engagement

Size(mm)		
(inch)	(mm)	
#8-18X1 1/2"	4.2X13	1.0-2.0
#8-18X5/8"	4.2X16	1.0-2.0
#8-18X3/4"	4.2X19	1.0-2.0
#8-18X1"	4.2X25	1.0-2.0
#8-18X1-1/4"	4.2X32	1.0-2.0
#8-18X1-5/8"	4.2X41	1.0-2.0



Phillips Flat head wood screw, SS Clean Polish

- Flat head for counter-sinking
- SS material anti-rust

Size(inch)				
#8X1"	#8X1 1/4"	#8X1 1/2"	#8X1 5/8"	#8X1 3/4"
#8x2"	#9X2 1/2"	#9x3"		



Bugle phillips head, drywall screw, SS Clean Polish

- For fastening gypsum and soft woods
- SS material anti-rust

Size(inch)				
#6x1"	#6x1 1/4"	#6x1 5/8"	#6x2"	#8x2 1/2"
#8x3"	#10x3 1/2"	#10x4"		



Star flat head with nibs deck screw, SS Clean Polish

- Star drive prevents cam out and stripping for improved driveability
- SS material anti-rust

Size(inch)				
#8x1 1/4"	#8x1 5/8"	#8x2"	#9x2 1/2"	#9x3"
#10x3 1/2"	#10x4"			



Flat head, machine screw, SS Clean Polish

- For assemble machines
- SS material anti-rust

Size(inch)				
3/16x1 1/2	3/16x3/4	3/16x1	3/16x1 1/4	3/16x1 1/2
1/4x1 1/2	1/4x3/4	1/4x1	1/4x1 1/4	1/4x1 1/2
1/4x2				



Pan head, Machine screw, SS Clean Polish

- For assemble machines
- SS material anti-rust

Size(inch)				
3/16x1 1/2	3/16x3/4	3/16x1	3/16x1 1/4	3/16x1 1/2
1/4x1 1/2	1/4x3/4	1/4x1	1/4x1 1/4	1/4x1 1/2
1/4x2				



Hex head, self-drilling screw, SS Clean Polish

- For exterior steel to steel, such as steel roofing
- SS 410 material

Size(inch)				
#14x3/4"	#14x1"	#14x1 1/4"	#14x1 1/2"	#14x2"
#14x2 1/2"	#14x3"			



**Flat head, self-drilling screw,
SS Clean Polish**

· For exterior steel to steel, such as steel roofing
· SS 410 material

Size (inch)				
#7x3/4"	#7x1"	#8x3/4"	#8x1"	#8x1 1/4"
#8x1 1/2"	#8x2"	#10x2 1/2"	#10x3"	



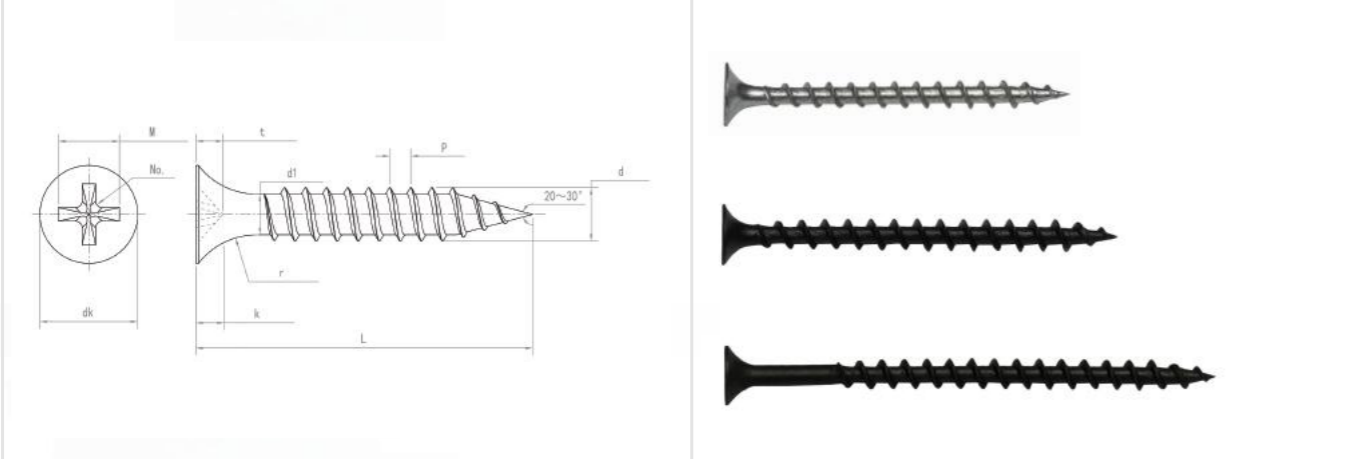
**Pan head, self-drilling screw,
SS Clean polish**

· For exterior steel to steel, such as steel roofing
· SS 410 material

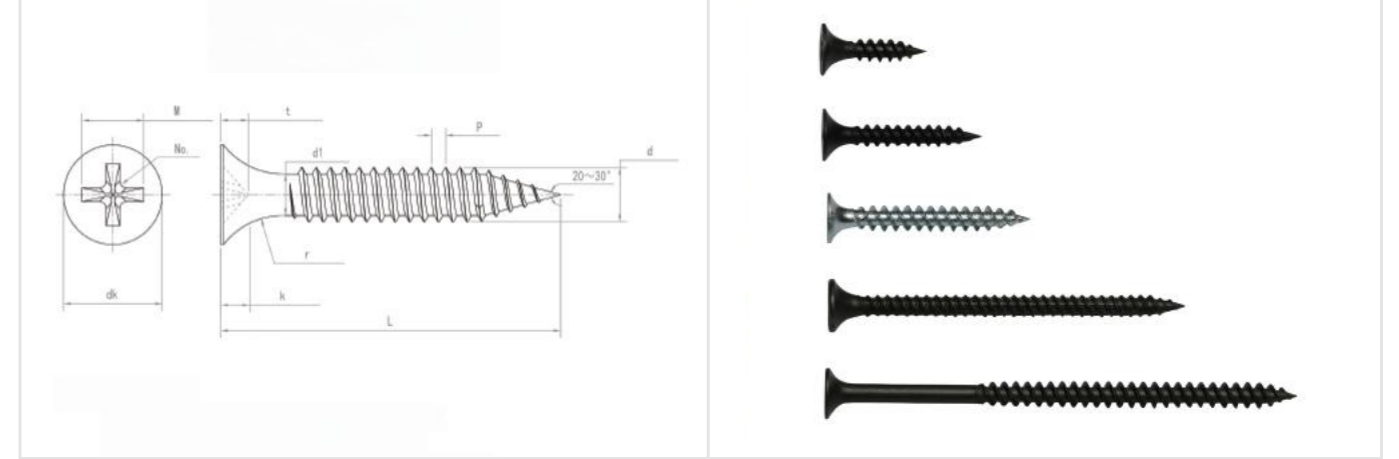
Size (inch)				
#7x3/4"	#7x1"	#8x3/4"	#8x1"	#8x1 1/4"
#8x1 1/2"	#8x2"	#10x2 1/2"	#10x3"	



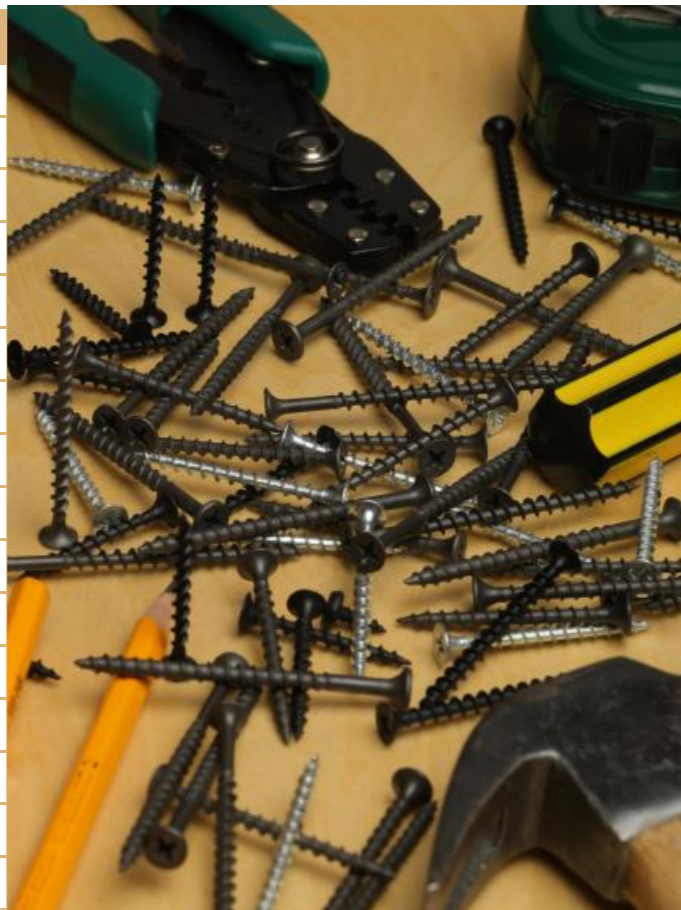
Phillips Bugle Head Drywall Screw Coarse Thread



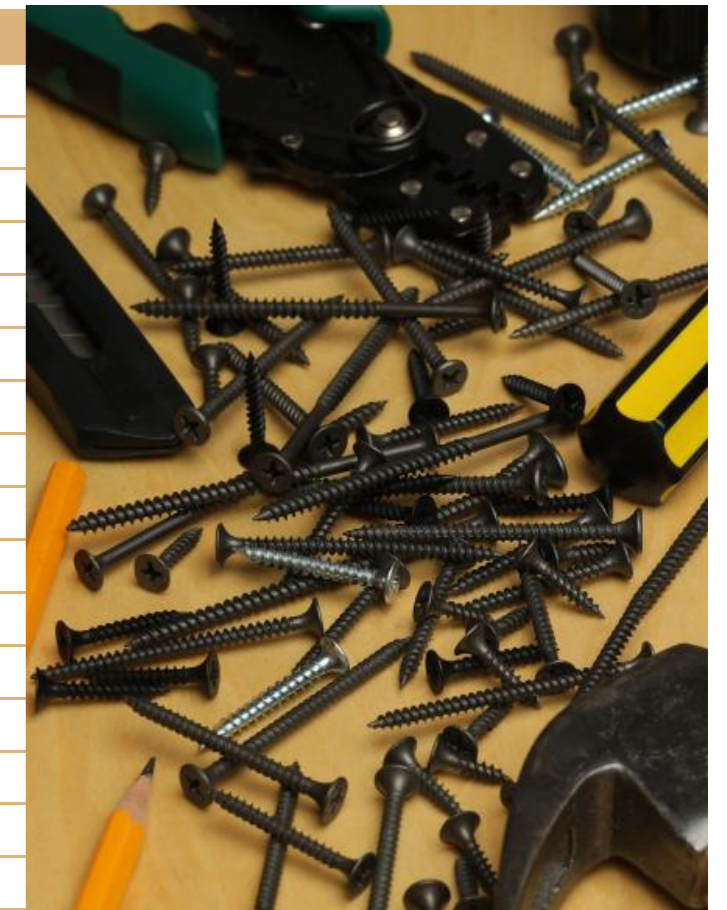
Phillips Bugle Head Drywall Screw Fine Thread



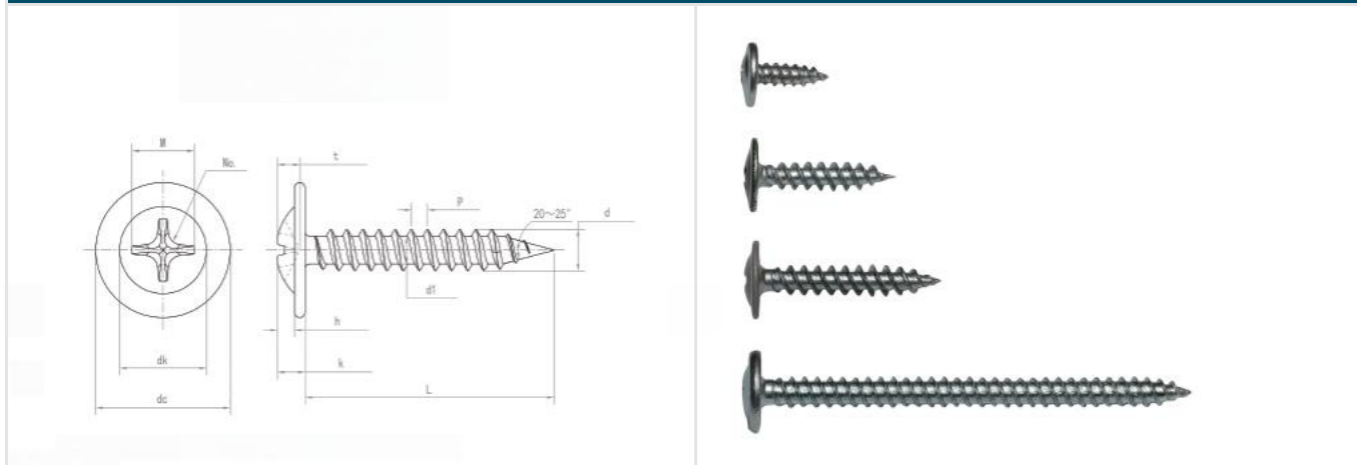
Mon	ST3.5	ST3.8	ST4.2	ST4.8
P	2.7	2.7	2.8	3.1
dmax	3.9	4	4.6	5.35
dmin	3.5	3.7	4.2	4.9
dkmax	8.5	8.5	8.5	9.1
dkmin	7.9	7.9	7.9	8.5
kmax	7	7	7	7
kmin	4.5	4.5	4.5	4.5
dimax	2.35	2.5	2.85	3.35
d1min	2.05	2.2	2.55	3.05
tmax	2.93	2.93	2.93	3.18
tmin	2.35	2.35	2.35	2.5
Mmax	5.1	5.1	5.1	5.1
Mmin	4.5	4.5	4.5	4.5
No.	2	2	2	2
rmax	5	5	5	5
rmin	4.5	4.5	4.5	4.5



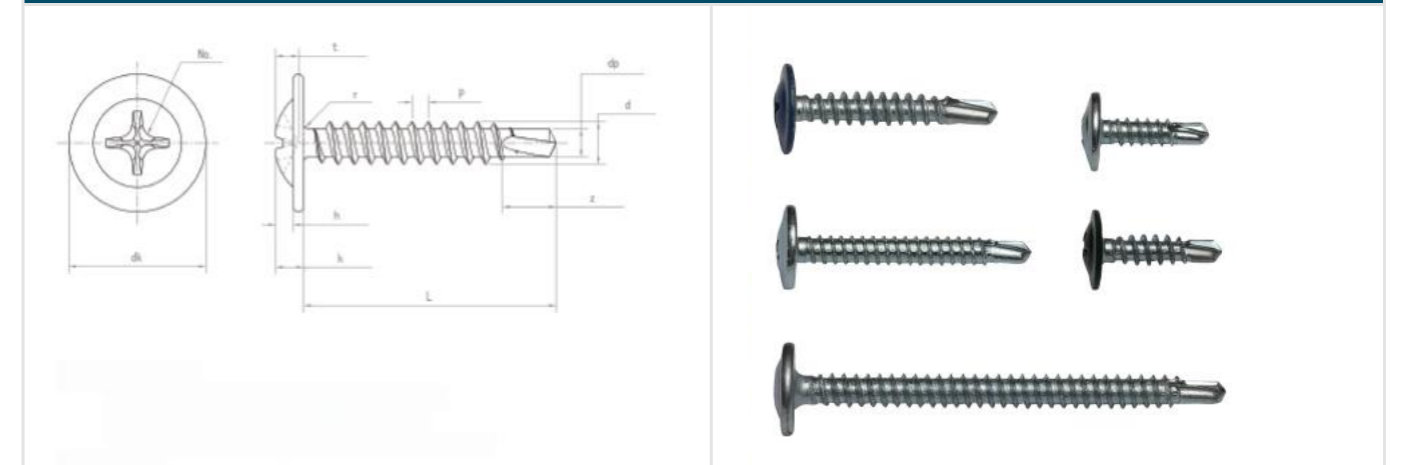
Mon	ST3.5	ST3.8	ST4.2	ST4.8
P	1.4	1.4	1.4	2.1
dmax	3.9	4	4.6	5.35
dmin	3.5	3.7	4.2	4.9
dkmax	8.6	8.6	8.6	9.1
dkmin	7.9	7.9	7.9	8.5
kmax	7	7	7	7
kmin	4.5	4.5	4.5	4.5
dlmax	2.35	2.5	2.85	3.35
d1min	2.05	2.2	2.55	3.05
tmax	2.93	2.93	2.93	3.18
tmin	2.35	2.35	2.35	2.5
Mmax	5.1	5.1	5.1	5.1
Mmin	4.5	4.5	4.5	4.5
No.	2	2	2	2
rmax	5	5	5	5
rmin	4.5	4.5	4.5	4.5



Modified Truss Head Phillips Self-Tapping screw



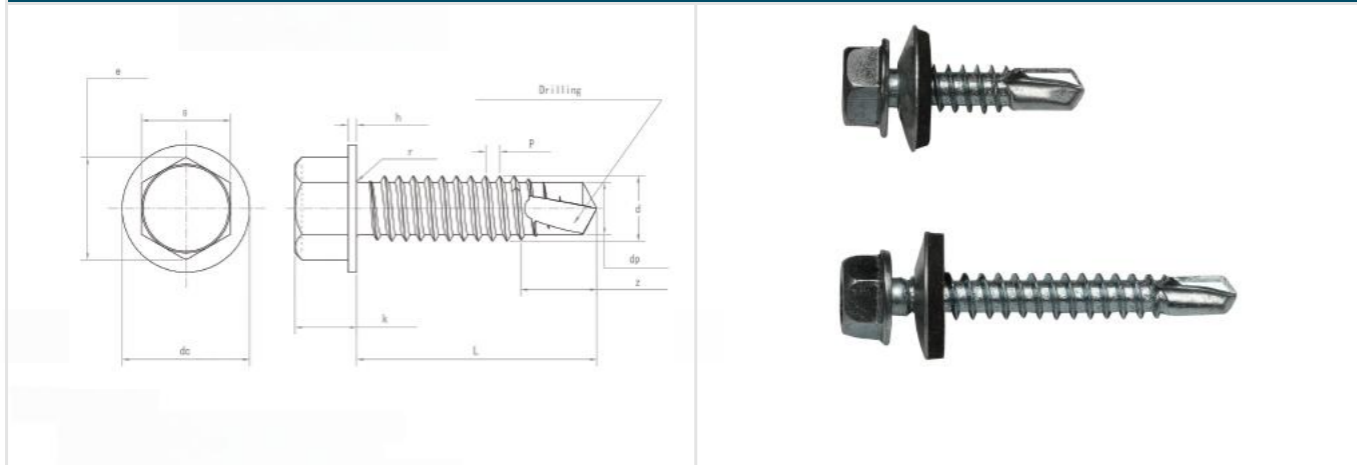
Modified Truss Head Phillips Self-Tapping screw



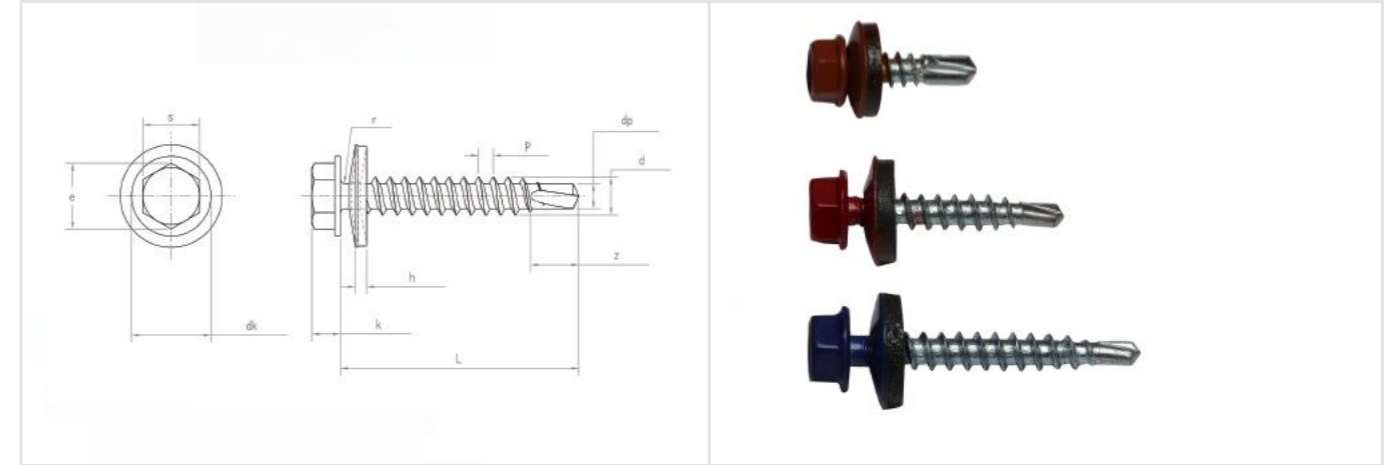
Mon	ST4.2
P	1.4
dmax	4.3
dmin	4.05
dk	7.1
domax	11.4
dcmin	10.6
kmax	2.5
kmin	2.1
hmax	1.5
hmin	1.2
M	4.6
No.	2
tmax	2.46
tmin	1.8
d1	3.2

Mon	ST4.2
P	1.4
dkmax	11.4
dkmin	10.6
kmax	2.35
kmin	2.1
hmax	1.5
hmin	1.2
tmax	2.35
tmin	1.8
r	1.5
dmax	4.22
dmin	4.08
zmax	5.8
zmin	4.5
dpmax	3.5
dpmin	3.35
No.	#2

Hex Washer Head Self-Drilling screw with EPDM Washer



Hex Washer Head Self-Drilling screw with EPDM Washer, Colored head

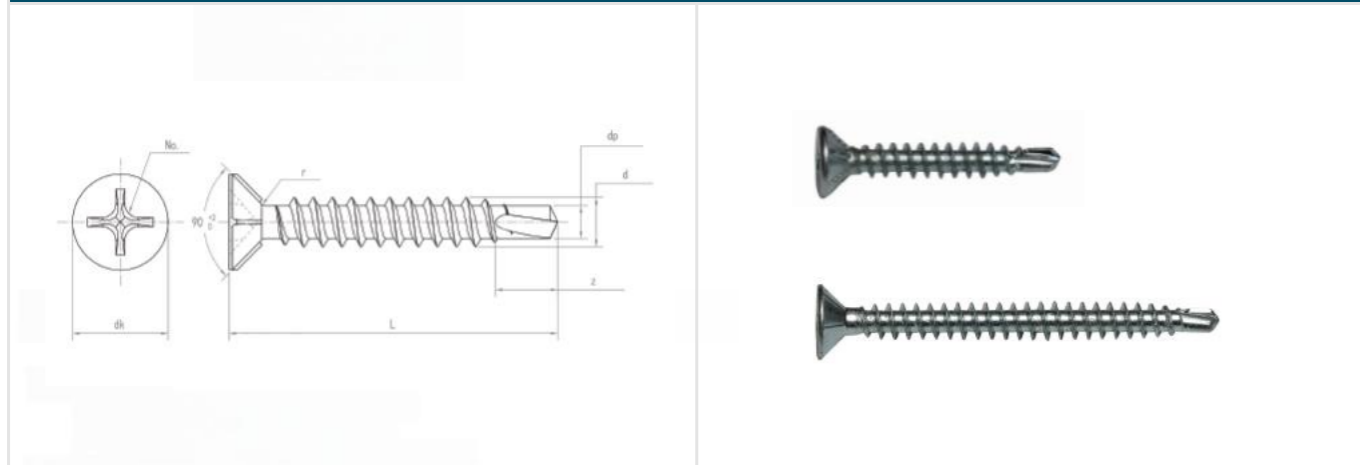


Mon	ST3.5	ST3.9	ST4.2	ST4.8	ST5.5	ST6.3
P	1.3	1.3	1.4	1.6	1.8	1.8
hmin	0.6	0.6	0.9	0.9	1	1
dcmax	8.3	8.3	8.8	10.5	11	13.2
dcmin	7.6	7.6	8.2	9.8	10	12.2
emin	5.96	5.96	7.59	8.71	8.71	10.95
kmax	3.45	3.45	4.25	4.45	5.45	6.45
kmin	3.2	3.2	4	4.15	5.15	6.15
rmax	0.5	0.5	0.6	0.7	0.8	0.9
smax	5.5	5.5	7	8	8	10
smin	5.32	5.32	6.78	7.78	7.78	9.78
dp max	2.8	3.1	3.6	4.1	4.8	5.8
z max	6.65	7.2	8.7	8.3	11	12


Mon	ST5.5	ST6.3
P	1.8	1.8
kmax	4.4	4.4
kmin	4	4
hmax	1.1	1.1
hmin	0.9	0.9
dmax	5.46	6.25
dmin	5.31	6.1
dpmax	4.5	4.5
dpmin	4.4	4.4
2max	9	9
zmin	8	8
dkmax	11.5	11.5
dkmin	10.5	10.5
e	10.95	10.95
S	10	10
r	0.5	0.5



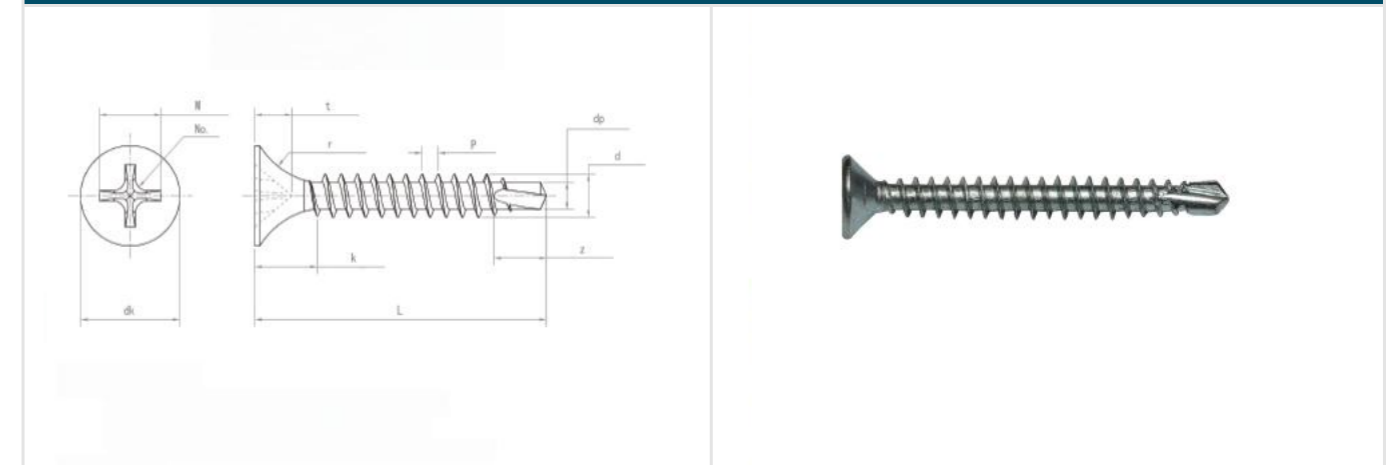
Contersunk head phillips self drilling window screw



Mon	ST3.9
P	1.3
dkmax	7.5
dkmin	7.14
No.	#2
r	1.5
dmax	3.95
dmin	3.78
dpmax	3.18
dpmin	3.05
zmax	5.8
zmin	5.5



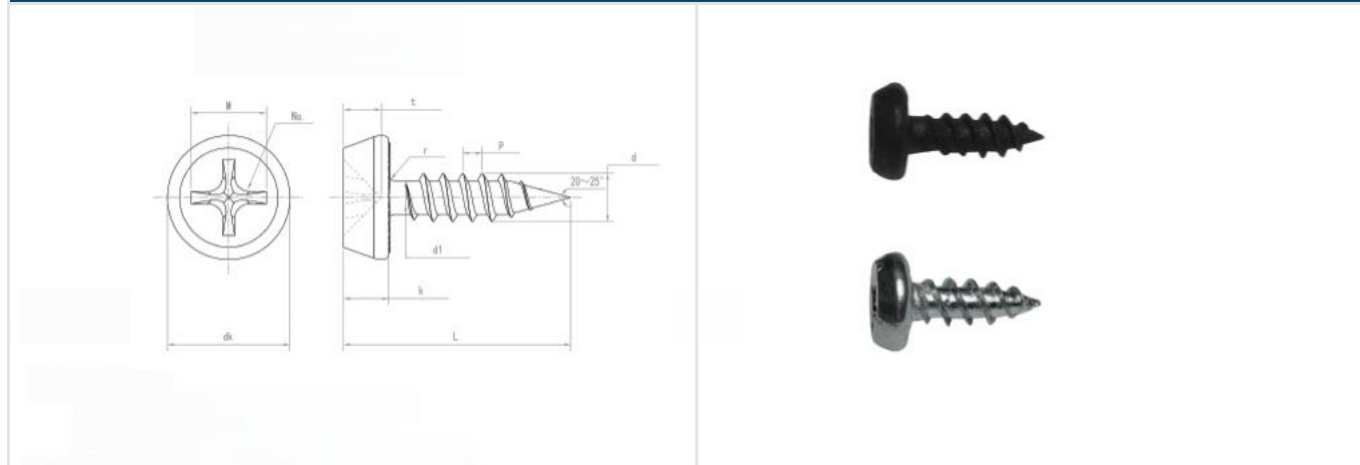
Drywall Screw with Drilling



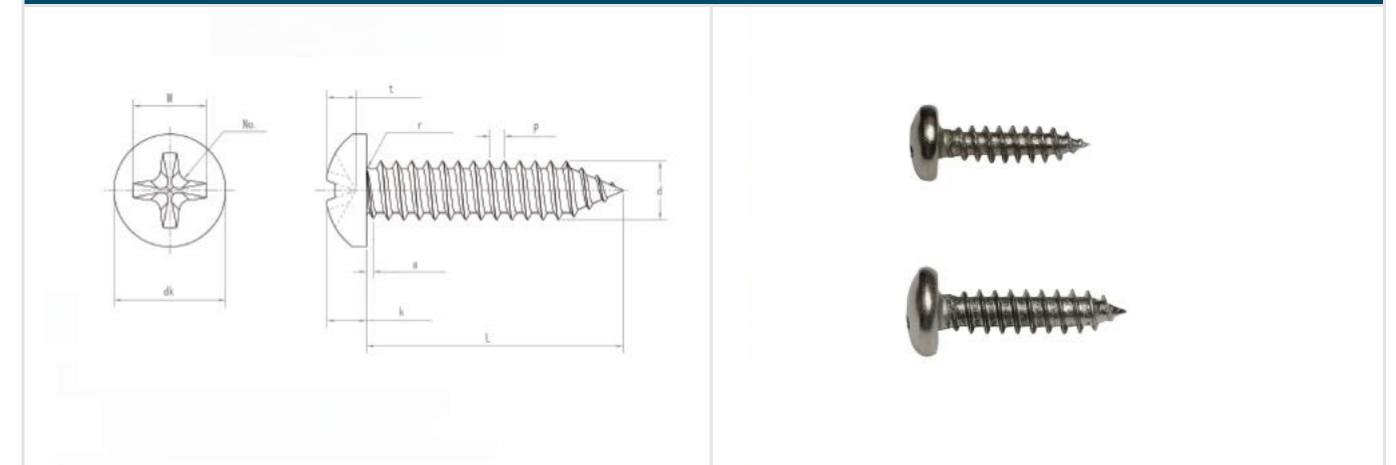
Mon	ST3.5
P	1.3
dmax	3.6
dmin	3.43
dkmax	8.4
dkmin	8
zmax	4.8
zmin	3.5
rmax	6.5
rmin	4.5
tmax	2.95
tmin	2.65
Mmax	5.1
Mmin	4.5
No.	2
dpmax	2.9
dpmin	2.75
kmax	6.5
kmin	4.5



Pan Framing Head Phillips Self-Tapping screw



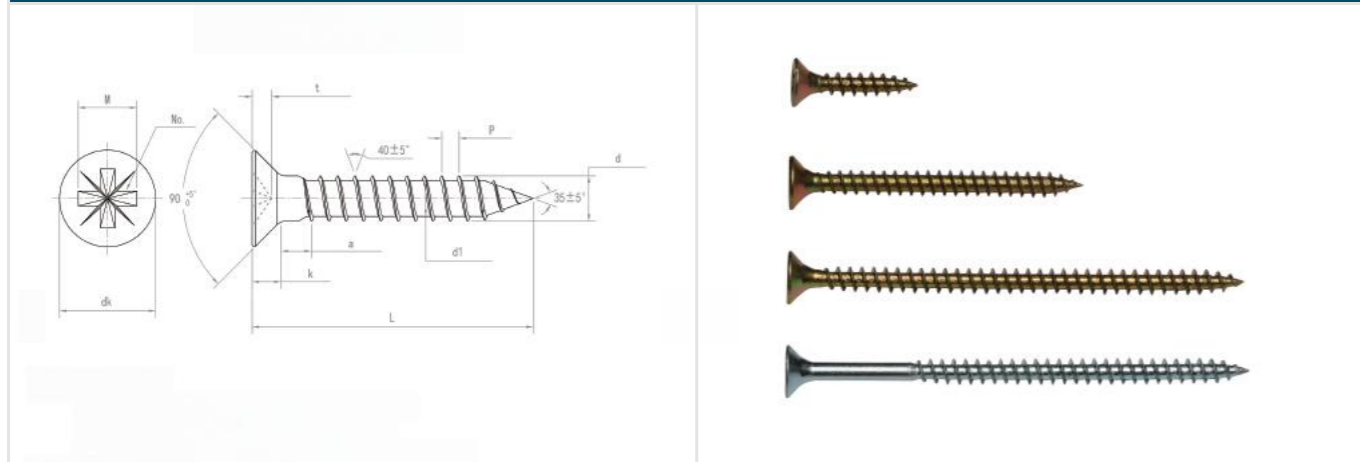
Pan Phillips Head Self-Fapping screw



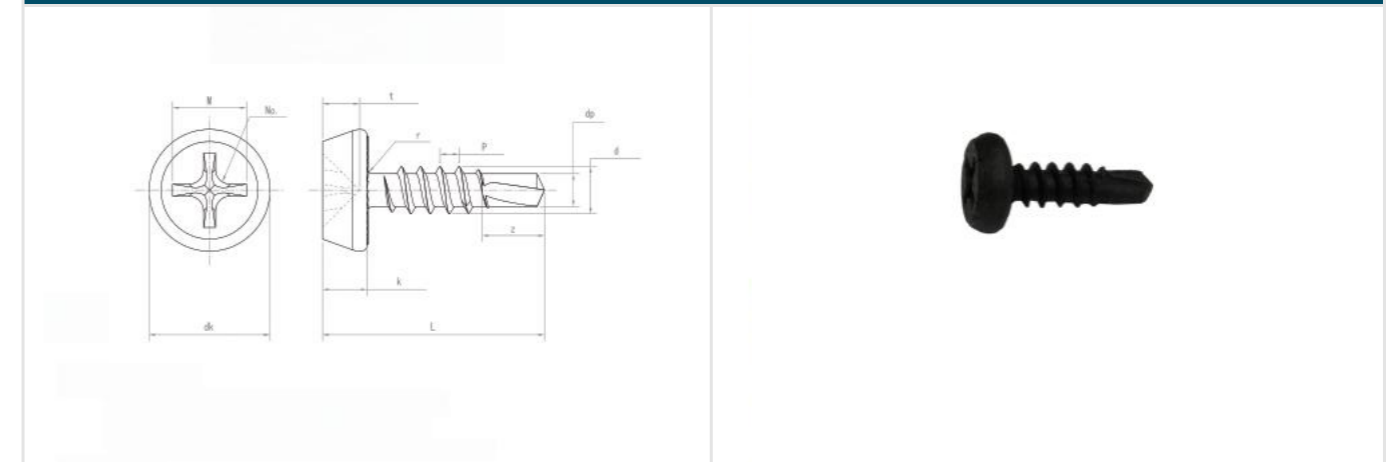
Mon	ST3.5
P	1.3
dmax	3.58
dmin	3.43
kmax	2.92
kmin	2.45
M	4.2
No.	2
tmax	2.8
tmin	2.4
d1max	2.92
d1min	2.76
r	0.6
dkmax	8
dkmin	7.39

Mon	ST2.9	ST3.5	ST3.9	ST4.2	ST4.8	ST5.5	ST6	ST6.3
P	1.1	1.3	1.3	1.4	1.6	1.6	1.8	1.8
amax	1.1	1.3	1.3	1.4	1.6	1.8	--	1.8
dkmax	5.6	6.9	7.5	8.2	9.5	10.8	--	12.5
dkmin	5.3	6.54	7.14	7.84	9.14	10.37	--	12.07
kmax	2.2	2.6	2.8	3.05	3.55	3.95	--	4.55
kmin	1.95	2.35	2.55	2.75	3.25	3.65	--	4.25
rmax	0.4	0.5	0.5	0.6	0.7	0.8	--	0.9
No.	1	2	2	2	2	3	--	3
M	3	4.2	4.4	4.6	5	6.5	--	7.1
tmin	1.35	1.4	1.63	1.8	2.26	2.49	--	3
tmax	1.8	2.03	2.26	2.46	2.87	3.15	--	3.66

Chipboard Screw

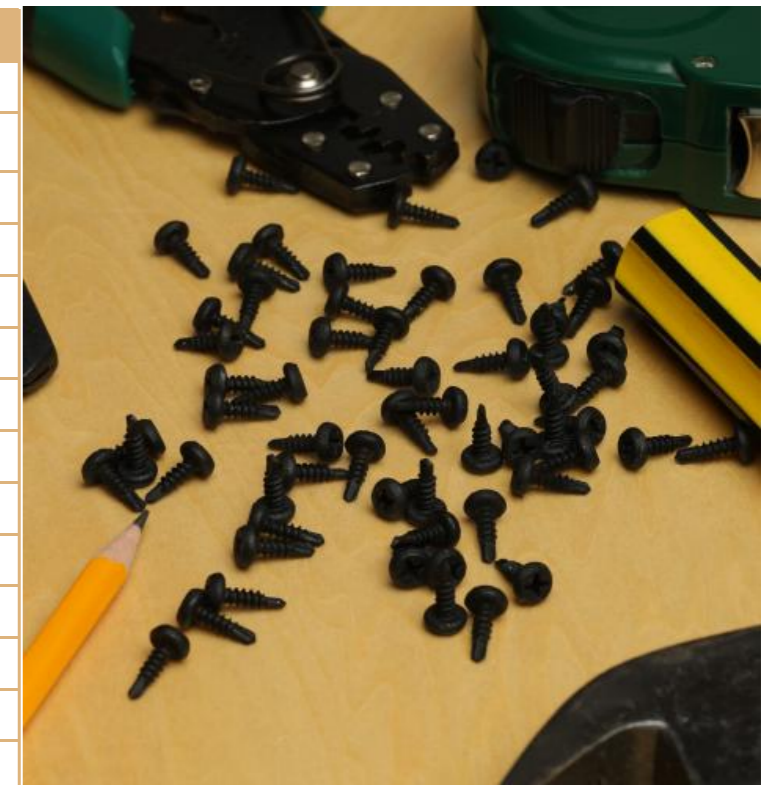


Pan Framing Head Phillips Self-Drillingscrew



Nom	3	4	5	6	2.5	3.5	4.5
P	1.2	1.6	2	2.5	1	1.4	1.8
dmax	3	4	5	6	2.5	3.5	4.5
dmin	2.75	3.7	4.7	5.7	2.25	3.2	4.2
d1max	1.9	2.5	3	3.7	1.5	2.15	2.7
d1min	1.5	2.02	2.52	3.22	1.1	1.67	2.22
dkmax	6	8	10	12	5	7	9
dkmin	5.7	7.64	9.64	11.57	4.7	6.64	8.64
k	1.8	2.35	2.85	3.35	1.4	2	2.55
amax	2.35	2.8	3.2	3.6	2.1	2.6	3
No.	1	2	2	3	1	2	2
M	3	4.4	5.3	6.6	2.51	4	4.8
tmin	1.6	2.05	2.99	2.99	1.22	1.76	2.46
tmax	2.01	2.51	3.45	3.45	1.47	2.06	2.92

Mon	ST3.5
P	1.3
dkmax	8
dkmin	7.6
kmax	3
kmin	2.7
dmax	3.58
dmin	3.43
tmax	2.95
tmin	2.31
r	0.6
No.	2
dp	3.1
z	4
M	4.2



NYLON LOCK NUT



Standard	DIN985	DIN982	ANSI B18.16.6
Size	M4-30	M4-30	1/4"-1"
Grade	4,6,8,10	4,6,8,10	2,5
Surface	WZP,BZP,YZP,Black,HDG,Dacromet,Plain		

HEX COUPLING NUT



Standard	DIN6334	ANSI	BSW
Size	M6-36	1/4"-1"	1/4"-1"
Grade	4,6,8,10	2,5	2,5
Surface	WZP,BZP,YZP,Black,HDG,Dacromet,Plain		

ROUND COUPLING NUT



Standard	DIN	ANSI	BSW
Size	M6-36	1/4"-1"	1/4"-1"
Grade	4,6,8,10	2,5	2,5
Surface	WZP,BZP,YZP,Black,HDG,Dacromet,Plain		

D CONE NUT



Standard	BSW,UNC
Size	1/2x33,1/2x35,1/2x36,1/2x40,5/8x55
Grade	2,5
Surface	WZP,BZP,YZP,Plain

SQUARE NUT



Standard	DIN	ANSI	BSW
Size	M6-20	1/4"-1"	1/4"-1"
Grade	4,6,8,10	2,5	2,5
Surface	WZP,BZP,YZP,Black,HDG,Dacromet,Plain		

HEX DOME CAP NUT



Standard	DIN1587
Size	M4-24
Grade	4,6,8
Surface	WZP,BZP,YZP,Plain

HEX NUT



Standard	DIN934	ANSI B18.2.2	BSW
Size	M3-100	1/4"-4"	1/4"-4"
Grade	4,6,8,10	2,5	
Surface	WZP,BZP,YZP,Black,HDG,Dacromet,Plain		

WING NUT



Standard	DIN315
Size	M4-24
Grade	4,6,8
Surface	WZP,BZP,YZP,Plain

HEAVY HEX NUT



Standard	ASTMA194
Size	1/4"-4"
Grade	2H
Surface	Black,HDG,ZP

SPRING NUT



Standard	DIN	ANSI	BSW
Size	M6-12	1/4"-1/2"	1/4"-1/2"
Grade	4,6,8	2,5	2,5
Surface	WZP,BZP,HDG,Dacromet		

HEX FLANGE NUT



Standard	DIN6923	ANSI B18.16.4	BSW
Size	M4-20	1/4"-1"	1/4"-1"
Grade	4,6,8,10	2,5	
Surface	WZP,BZP,YZP,Black,HDG,Dacromet,Plain		

HEX BOLT



Standard	DIN931, DIN933	ANSI	BSW
Size	M3-100	1/4"-4"	1/4"-4"
Grade	4.8, 5.8, 8.8, 10.9, 2, 5, 8, 12.9		
Surface	WZP, BZP, YZP, Black, HDG, Dacromet, Plain		

HEX SOCKET HEAD BOLT



Standard	DIN912	ANSI	BSW
Size	M3-100	1/4"-4"	1/4"-4"
Grade	4.8, 5.8, 8.8, 10.2, 5, 8, 9, 12.9		
Surface	WZP, BZP, YZP, Black, HDG, Dacromet, Plain		

HEX FLANGE BOLT



Standard	DIN6921	ANSI	BSW
Size	M5-20	1/4"-1"	1/4"-1"
Grade	4.8, 5.8, 8.8, 10.2, 5, 8, 9, 12.9		
Surface	WZP, BZP, YZP, Black, HDG, Dacromet, Plain		

CARRIAGE BOLT



Standard	DIN603	ANSI	BSW
Size	M5-20	1/4"-1"	1/4"-1"
Grade	4.8, 5.8, 8.8, 10.9, 2, 5, 8, 12.9		
Surface	WZP, BZP, YZP, HDG, Dacromet, Black, Plain		

